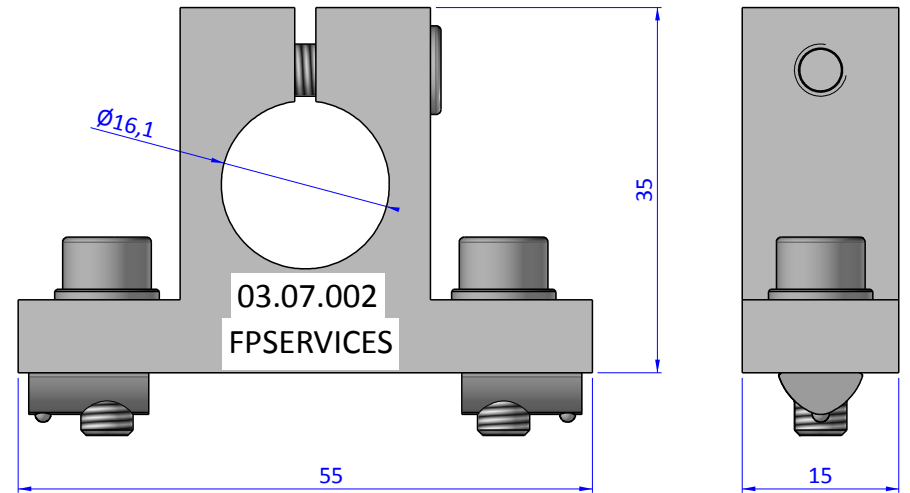
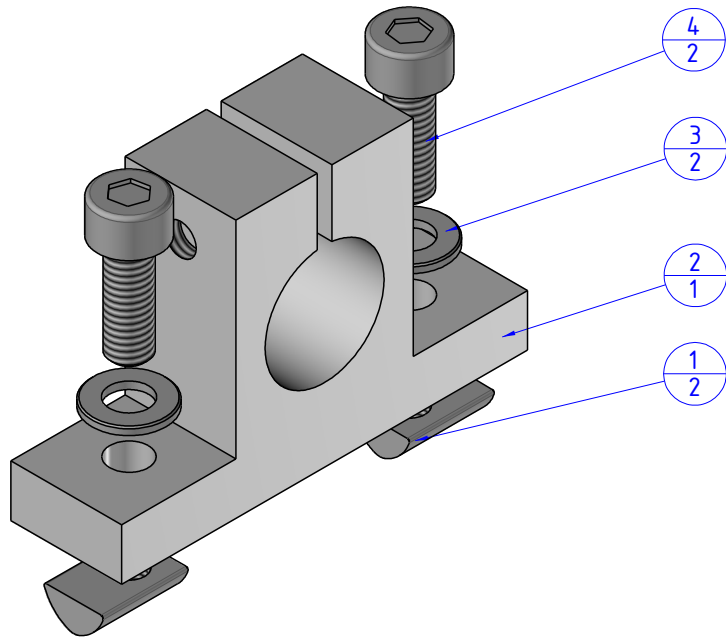



THE PROPERTY OF THE DRAWING IS ESTABLISHED BY LAW. IT IS FORBIDDEN TO PRODUCE OR SHOW IT TO THIRD PARTY, WITHOUT A WRITTEN AGREEMENT.

Object Number	Name	QTY
1	02.05.003	2
2	CA.03.07.002	1
3	R.5	2
4	V.TCE5x14	2



Format A3

UNI 936-76

 FPSERVICES AUTOMATION		DESIGNED FROM		REVIEW
		FPS Automation		A
GENERAL TOLERANCE		DATE	WEIGHT	
UNI - ISO 2768		24/07/2019	0,049kg	
CLASSE f		CODE		
		CA.03.07.002.5		CA.03.07.002.5